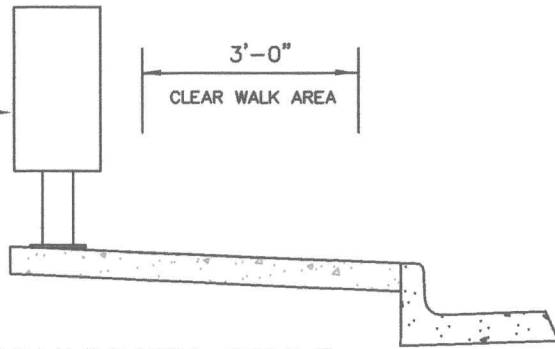
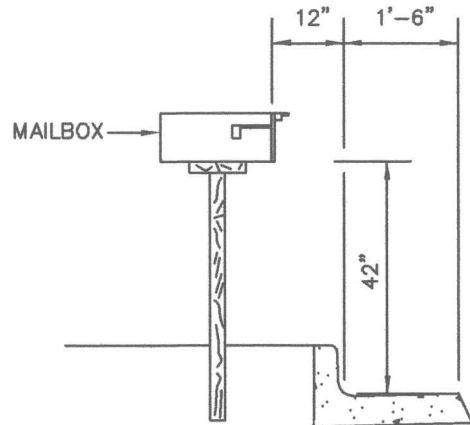


U.S. POSTAL SERVICE  
'COMMUNITY'  
MAILBOX



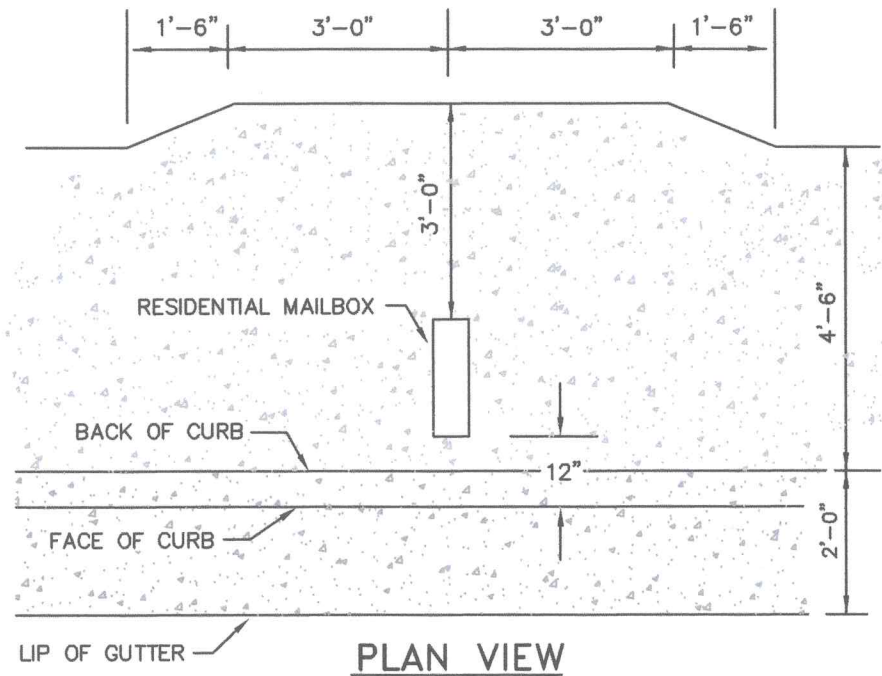
**COMMUNITY STYLE**

THE 'CLUSTER BOX UNITS' STYLE MAILBOXES SHALL BE PLACED IN LOCATIONS APPROVED BY BOTH THE POSTAL SERVICE AND THE CITY CITY ENGINEER.



RESIDENTIAL MAILBOXES SHOULD BE LOCATED WITH FRONT OF THE BOX 12" BACK OF THE FACE OF CURB OR 12" BEHIND THE EDGE OF THE TRAVELED WAY.

**RESIDENTIAL MAILBOX**



**PLAN VIEW**

CITY OF LEWISTON, IDAHO  
PUBLIC WORKS DEPARTMENT

**CURBSIDE MAILBOX DETAIL**

APPROVED FOR PUBLICATION

*Chris Davis* 2-5-09  
City Engineer Date

DWG. NO.

1-11