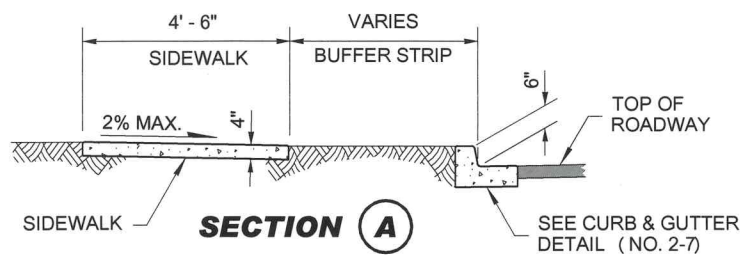


RADIUS AT FACE OF CURB	W = 5' - 0"	
	X	Y
20 FEET	4' - 1"	6' - 2 3/4"
30 FEET	5' - 9 1/4"	9' - 7"

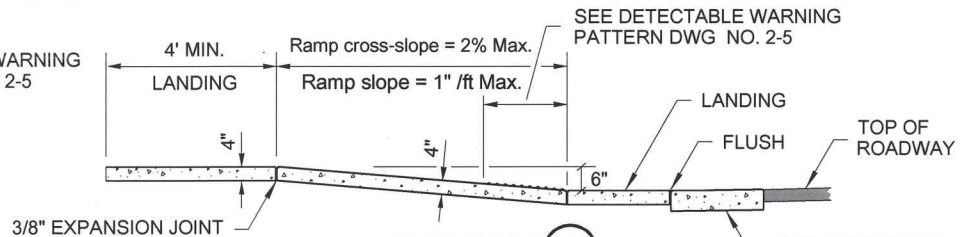
INTERMEDIATE RADII CAN BE INTERPOLATED

NOTES:

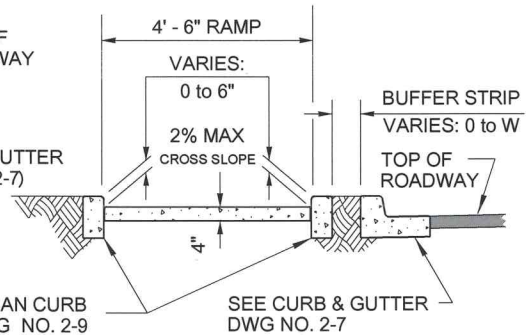
1. DETECTABLE WARNING PATTERN TILE SHALL BE YELLOW TRUNCATED-DOME TYPE.
2. RAMP SLOPE SHALL NOT BE STEEPER THAN 12H:1V.
3. A 4' x 4' LANDING AREA AT TOP OF RAMP WITH 2% SLOPE IN ALL DIRECTIONS AND A 4' x 4' MIN. CLEAR SPACE WITHIN THE CROSSWALK.
4. PLACEMENT OF PLACING DRAINAGE STRUCTURE, JUNCTION BOXES OR OTHER OBSTRUCTIONS WITHIN/ OR FRONT OF RAMP IS PROHIBITED.
5. THIS RAMP SHALL BE USED WITH HIGH BACK AND ROLLED CURB.



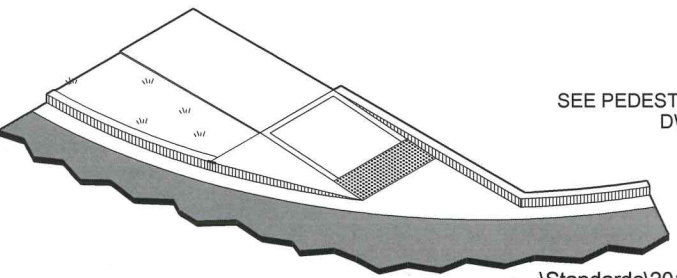
SECTION A



SECTION B



SECTION C



Standards\2010-Standards\2-Concrete\Single_Perpend_wbuffer.dwg

CITY OF LEWISTON, IDAHO
PUBLIC WORKS DEPARTMENT

**SINGLE PERPENDICULAR
RAMP WITH BUFFER**

APPROVED FOR PUBLICATION
Dean Stutler 9/1/10
City Engineer Date

DWG. NO.
2-14