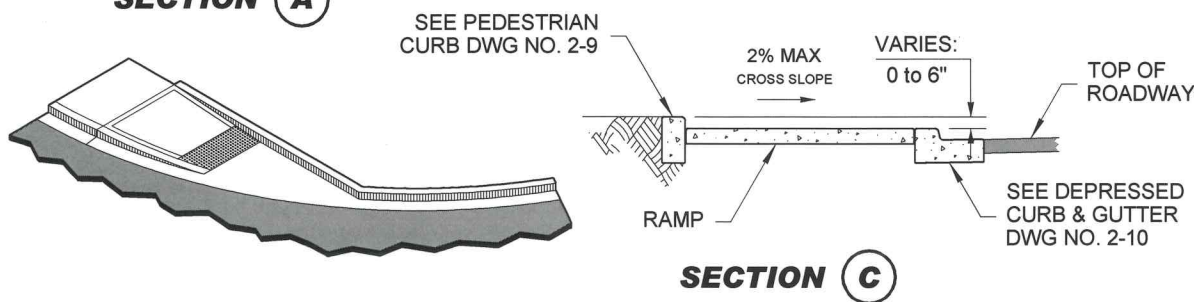
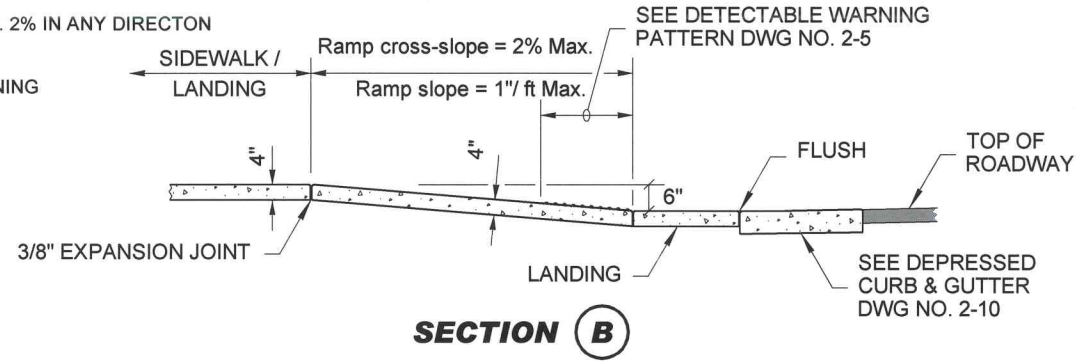
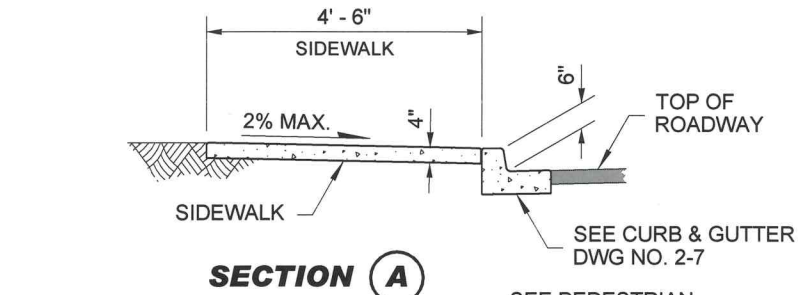


| RADIUS AT FACE OF CURB | X LANDING | Y DISTANCE FROM P.C. |
|------------------------|-------------|----------------------|
| 20 FEET | 6' - 2 1/2" | 1' - 7" |
| 30 FEET | 8' - 0 1/4" | 3' - 8" |

- NOTES:
1. DETECTABLE WARNING PATTERN TILE SHALL BE YELLOW TRUNCATED-DOME TYPE.
 2. RAMP SLOPE SHALL NOT BE STEEPER THAN 12H:1V.
 3. A 4' x 4' LANDING AREA AT TOP OF RAMP WITH 2% SLOPE IN ALL DIRECTIONS AND A 4' x 4' MIN. CLEAR SPACE WITHIN THE CROSSWALK.
 4. PLACEMENT OF DRAINAGE STRUCTURE, JUNCTION BOXES OR OTHER OBSTRUCTIONS WITHIN/ OR FRONT OF RAMP IS PROHIBITED.
 5. THIS RAMP SHALL BE USED WITH HIGH BACK AND ROLLED CURB.



CITY OF LEWISTON, IDAHO
PUBLIC WORKS DEPARTMENT

**SINGLE PERPENDICULAR
RAMP WITHOUT BUFFER**

APPROVED FOR PUBLICATION
Deann Stebbins 9/1/10
City Engineer Date

DWG. NO.
2-15